



BOSCH
Invented for life

LTC 13xx and LTC 14xx Series FlexiDome Fixed Dome Cameras



- ▶ Fixed Cameras in 64 mm (2.5-inch) Domes
- ▶ 1/4-inch Format Standard and High Resolution
- ▶ Full range of color and monochrome models
- ▶ Available with 2.1 mm, 3 mm or 6 mm Lenses
- ▶ All Models with advanced DSP
- ▶ Backlight Compensation
- ▶ 24 VAC Supply with Line-Lock

The FlexiDome I & II Series are fixed compact cameras in stylish surveillance domes: FlexiDome I for standard resolution and FlexiDome II for high resolution applications.

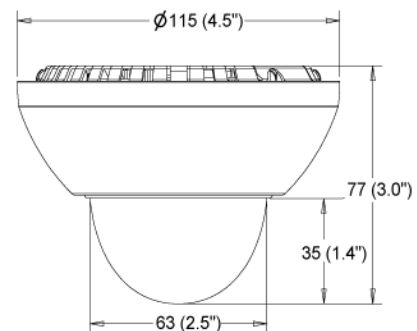
The high performance 1/4-inch monochrome or color CCD cameras come in a choice of 2.1 mm, 3 mm or 6 mm integral lenses for super-wide angle or standard view. Wide AC voltage ranges allow flexibility in both PAL and NTSC versions.

The FlexiDome I & II cameras are easily surface mounted on ceilings or walls to elegantly blend with their environment. The lightly tinted dome masks the camera without significant f-stop loss. With its 24 VAC supply and line-lock capabilities, this camera is not sensitive to the color interaction between the shutter and fluorescent lighting common to DC-supplied cameras. Various configuration possibilities are available via the easily accessible switches for white balance, line-lock, phase adjustment, and backlight compensation. The camera's viewing direction can be manually adjusted, and the ball mounted construction ensures a stable camera view.

The backlight compensation and wide dynamic range, combined with the many other image enhancement features of the proprietary DSP ensure optimum contrast and a clear picture of the object at any time. Enhanced picture quality, true color reproduction, and outstanding reliability make these domed cameras an excellent choice

for indoor applications in retail, casinos, museums, malls, and bank or hotel lobbies.

Installation/Configuration Notes



Dimensions

Parts Included

Quantity	Components
1	LTC 13xx or LTC 14xx Series FlexiDome Fixed Dome Camera with lens

Technical Specifications

Electrical

Models:	FlexiDome I		
	Monochrome	Color	Lens type
LTC 1311	LTC 1411	2.1 mm F/2.0	
LTC 1312	LTC 1412	3 mm F/2.0	
LTC 1313	LTC 1413	6 mm F/2.0	
	FlexiDome II		
LTC 1321	LTC 1421	2.1 mm F/2.0	
LTC 1322	LTC 1422	3 mm F/2.0	
LTC 1323	LTC 1423	6 mm F/2.0	

Model No.	Voltage Range	Mono/Color Systems
<i>Monochrome</i>		
LTC 131x/10, 132x/10	12 to 28 VAC or VDC	CCIR
LTC 131x/20, 132x/20	12 to 28 VAC or VDC	EIA
<i>Color</i>		
LTC 141x/10, 142x/10	12 to 28 VAC or VDC	PAL
LTC 141x/20, 142x/20	12 to 28 VAC or VDC	NTSC

Power is 2 W for all models.

Imager: Interline transfer CCD; 1/4-inch image format.

	FlexiDome I	FlexiDome II
Active Picture Elements:		
PAL/CCIR	500 H x 582 V	752 H x 582 V
NTSC/EIA	510 H x 492 V	768 H x 492 V

Horizontal Resolution:	FlexiDome I	FlexiDome II
Color	330 TVL	470 TVL
Monochrome	380 TVL	570 TVL

Signal to noise ratio (Min. AGC)	>46 dB	>48 dB
---	--------	--------

AGC	18 dB	20 dB
------------	-------	-------

Sensitivity (3200 K):	Usable Picture (50IRE)	Full Video
Monochrome		
Scene illumination	0.5 lux (0.05 fc)	2.5 lux (0.25 fc)
Color		
Scene illumination	4.5 lux (0.45 fc)	22 lux (2.2 fc)

F/2 lens, 89.9% scene reflectance.

Electronic Shutter

PAL/CCIR Models: 1/50 to 1/100,000 sec.

NTSC/EIA Models: 1/60 to 1/100,000 sec.

White Balance (Color Models Only)

Continuous Tracking (ATW): 2500 K to 9000 K.

White Balance Store (AWB): 2500 K to 9000 K.

Models: FlexiDome I

Video Output 1.0 Vpp, 75 ohm.

Aperture Correction Horizontal and vertical.

Synchronization

Line-lock (when powered by AC): Synchronizes camera to power line zero crossing for roll-free vertical interval switching. Vertical phase delay can be externally adjusted (continuously) to allow vertical synchronization in multiphase power installations.

Controls

Line-Lock Selectable On/Off.

Phase Adjust Range 330°

White balance ATW or AWB (color models only)

Backlight Compensation On/Off.

Connectors

Video Out BNC.

Power Terminal block, power supply terminals are isolated from video output BNC.

Mechanical

Cable Entry Internal connections.

Mounting

Mounts on wall or ceiling.

Adjustable camera viewing position:

360° Horz.; 70° Vertical; 360° Rotation.

Viewing angle: 2.1mm lens - 90° Horz., 68° Vert.

Viewing angle: 3mm lens - 53° Horz., 38° Vert.

Viewing angle: 6mm H lens - 36° x Horz., 27° Vert.

Construction/Finish

Polycarbonate (PC) dome on molded PC/ABS housing.

Dimensions: 115 mm (4.5 in) diameter x 77 mm (3 in) height.

Weight: 0.4 kg (0.9 lb).

Environmental

Rated for indoor use.

Operating Temperature -10 °C to +45 °C (+14 °F to +113 °F)

Storage Temperature -25 °C to +70 °C (-4 °F to +158 °F)

Humidity 0% to 93% relative, non condensing

Electromagnetic Compatibility

EMC Requirements CE Immunity, CE Emission Class B, FCC Class B.

Safety CE, UL, cUL.

Ordering Information

LTC 1311/10 FlexiDome I 1/4-inch B/W CCIR, 380 TVL, 12 VDC/ 24 VAC, 50 Hz, w/2.1 mm fixed iris lens	LTC1311/10
LTC 1311/20 FlexiDome I 1/4-inch B/W EIA, 380 TVL, 12 VDC/ 24 VAC, 60 Hz, w/2.1 mm fixed iris lens	LTC1311/20
LTC 1312/10 FlexiDome I 1/4-inch B/W CCIR, 380 TVL, 12 VDC/ 24 VAC, 50 Hz, w/3 mm fixed iris lens	LTC1312/10

Ordering Information

LTC 1312/20 FlexiDome I 1/4-inch B/W EIA, 380 TVL, 12 VDC/24 VAC, 60 Hz, w/3 mm fixed iris lens	LTC1312/20
LTC 1313/10 FlexiDome I 1/4-inch B/W CCIR, 380 TVL, 12 VDC/24 VAC, 50 Hz, w/6 mm fixed iris lens	LTC1313/10
LTC 1313/20 FlexiDome I 1/4-inch B/W EIA, 380 TVL, 12 VDC/24 VAC, 60 Hz, w/6 mm fixed iris lens	LTC1313/20
LTC 1411/10 FlexiDome I 1/4-inch color PAL, 330 TVL, 12 VDC / 24 VAC, 50 Hz, w/2.1 mm fixed iris lens	LTC1411/10
LTC 1411/20 FlexiDome I 1/4-inch color NTSC, 330 TVL, 12 VDC / 24 VAC, 60 Hz, w/2.1 mm fixed iris lens	LTC1411/20
LTC 1412/10 FlexiDome I 1/4-inch color PAL, 330 TVL, 12 VDC / 24 VAC, 50 Hz, w/3 mm fixed iris lens	LTC1412/10
LTC 1412/20 FlexiDome I 1/4-inch color NTSC, 330 TVL, 12 VDC / 24 VAC, 60 Hz, w/3 mm fixed iris lens	LTC1412/20
LTC 1413/10 FlexiDome I 1/4-inch color PAL, 330 TVL, 12 VDC / 24 VAC, 50 Hz, w/6 mm fixed iris lens	LTC1413/10
LTC 1413/20 FlexiDome I 1/4-inch color NTSC, 330 TVL, 12 VDC / 24 VAC, 60 Hz, w/6 mm fixed iris lens	LTC1413/20
LTC 1321/10 FlexiDome II 1/4-inch B/W CCIR, 570 TVL, 12 VDC / 24 VAC, 50 Hz, w/2.1 mm fixed iris lens	LTC1321/10
LTC 1321/20 FlexiDome II 1/4-inch B/W EIA, 570 TVL, 12 VDC / 24 VAC, 60 Hz, w/2.1 mm fixed iris lens	LTC1321/20
LTC 1322/10 FlexiDome II 1/4-inch B/W CCIR, 570 TVL, 12 VDC/24 VAC, 50 Hz, w/3 mm fixed iris lens	LTC1322/10
LTC 1322/20 FlexiDome II 1/4-inch B/W EIA, 570 TVL, 12 VDC/24 VAC, 60 Hz, w/3 mm fixed iris lens	LTC1322/20
LTC 1323/10 FlexiDome II 1/4-inch B/W CCIR, 570 TVL, 12 VDC / 24 VAC, 50 Hz, w/6 mm fixed iris lens	LTC1323/10
LTC 1323/20 FlexiDome II 1/4-inch B/W EIA, 570 TVL, 12 VDC / 24 VAC, 60 Hz, w/6 mm fixed iris lens	LTC1323/20
LTC 1421/10 FlexiDome II 1/4-inch color PAL, 470 TVL, 12 VDC/24 VAC, 50 Hz, w/2.1 mm fixed iris lens	LTC1424/10
LTC 1421/20 FlexiDome II 1/4-inch color NTSC, 470 TVL, 12 VDC/24 VAC, 60 Hz, w/2.1 mm fixed iris lens	LTC1421/20

Ordering Information

LTC 1422/10 FlexiDome II 1/4-inch color PAL, 470 TVL, 12 VDC/24 VAC, 50 Hz, w/3 mm fixed iris lens	LTC1422/10
LTC 1422/20 FlexiDome II 1/4-inch color NTSC, 470 TVL, 12 VDC/24 VAC, 60 Hz, w/3 mm fixed iris lens	LTC1422/20
LTC 1423/10 FlexiDome II 1/4-inch color PAL, 470 TVL, 12 VDC/24 VAC, 50 Hz, w/6 mm fixed iris lens	LTC1423/10
LTC 1423/20 FlexiDome II 1/4-inch color NTSC, 470 TVL, 12 VDC/24 VAC, 60 Hz, w/6 mm fixed iris lens	LTC1423/20

Europe, Middle East, Africa:
 Bosch Security Systems B.V.
 P.O. Box 80002
 5600 JB Eindhoven, The Netherlands
 Phone: +31 40 2577 284
 Fax: +31 40 2577 330
 emea.securitysystems@bosch.com
 www.boschsecurity.com

Americas:
 Bosch Security Systems, Inc.
 130 Perinton Parkway
 Fairport, New York, 14450, USA
 Phone: +1 800 289 0096
 Fax: +1 585 223 9180
 security.sales@us.bosch.com
 www.boschsecurity.us

Asia-Pacific:
 Bosch Security Systems Pte Ltd
 38C Jalan Pemimpin
 Singapore 577180
 Phone: +65 6319 3450
 Fax: +65 6319 3499
 apr.securitysystems@bosch.com
 www.boschsecurity.com

Represented by